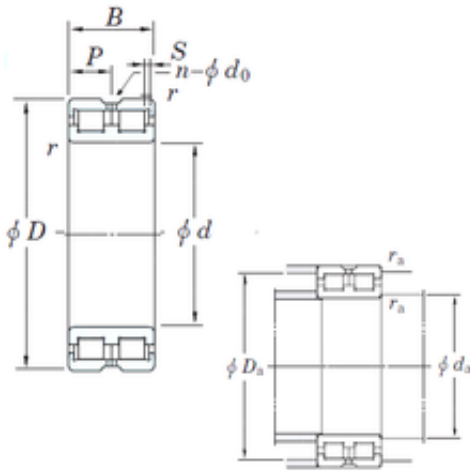




NTN Bearing Manufacturing of Canada



DC4932VW KOYO Full complement cylindrical roller bearings

Bearing No. DC4932VW

DC4932VW Bearing 2D drawings and 3D CAD models

Size	160x220x60 mm
Bore Diameter	160 mm
Outer Diameter	220 mm
Width	60 mm
d	160 mm
D	220 mm
B	60 mm
C	60 mm
n	6 mm
p	30 mm
r min.	2 mm
S	4 mm
da min.	170 mm
Da max.	210 mm
ra max.	2 mm
Weight	7 Kg
Basic dynamic load rating (C)	428 kN
Bearing No.	DC4932VW
r(min)	2
Cr	428
C0r	895
S	4 mm
P	30
n(qty)	6
do	4



NTN Bearing Manufacturing of Canada

da(min)	170
Da(max)	210
ra(max)	2
(Refer.)Mass(Fixed side)(kg)	6.80