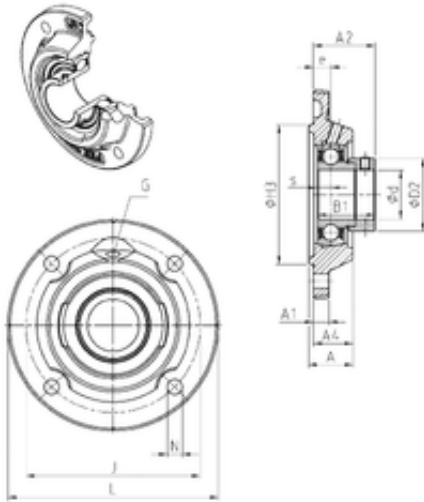




NTN Bearing Manufacturing of Canada



SNR ESFEE212 bearing units

Bearing No. ESFEE212

Bore Diameter	60 mm
d	60 mm
H3	140 mm
A4	36,5 mm
e	17 mm
s	12 mm
A	40,5 mm
A1	16 mm
B1	49,3 mm
D2	84,2 mm
J	165 mm
L	195 mm
N	14 mm
Thread (G)	R1/8"
A2	54,3 mm
Weight	4,2 Kg
Basic dynamic load rating (C)	52,5 kN

ESFEE212 Bearing 2D drawings and 3D CAD models