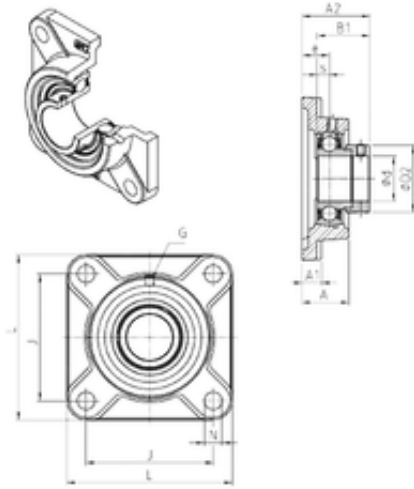




NTN Bearing Manufacturing of Canada



SNR ESF209 bearing units

Bearing No. ESF209

Bore Diameter	45 mm
d	45 mm
e	22 mm
s	11 mm
A	38 mm
A1	16 mm
B1	43,7 mm
D2	63,5 mm
J	105 mm
L	137 mm
N	16 mm
Thread (G)	M6x1
A2	54,7 mm
Weight	2,1 Kg
Basic dynamic load rating (C)	31,85 kN

ESF209 Bearing 2D drawings and 3D CAD models