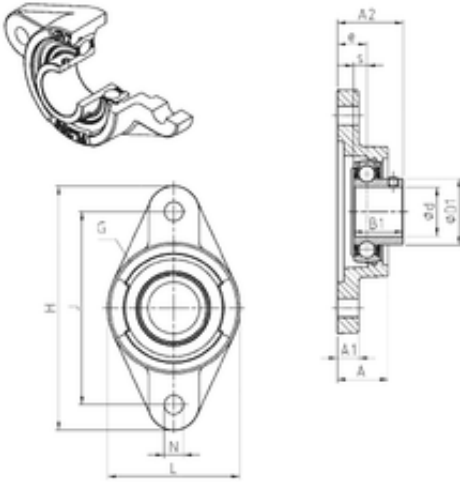




NTN Bearing Manufacturing of Canada



SNR USFL210 bearing units

Bearing No. USFL210

Bore Diameter	50 mm
d	50 mm
e	22 mm
s	10,9 mm
A	40 mm
A1	16 mm
B1	43,5 mm
D1	61,8 mm
H	197 mm
J	157 mm
L	115 mm
N	19 mm
Thread (G)	M6x1
A2	54,6 mm
Weight	2,2 Kg
Basic dynamic load rating (C)	35,1 kN

USFL210 Bearing 2D drawings and 3D CAD models