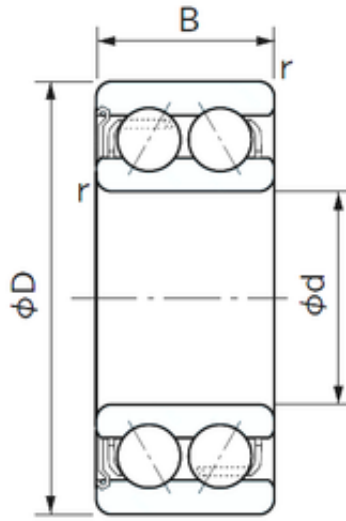




NTN Bearing Manufacturing of Canada



30 mm x 62 mm x 23.8 mm NACHI 5206AZ
angular contact ball bearings

Bearing No. 5206AZ

Size	30x62x23.8 mm
Bore Diameter	30 mm
Outer Diameter	62 mm
Width	23.8 mm
d	30 mm
D	62 mm
B	23.8 mm
C	23.8 mm
Angle ()	20 °
r min.	1 mm
Weight	0.290 Kg
Basic dynamic load rating (C)	24,4 kN
Basic static load rating (C0)	17,7 kN

5206AZ Bearing 2D drawings and 3D CAD models