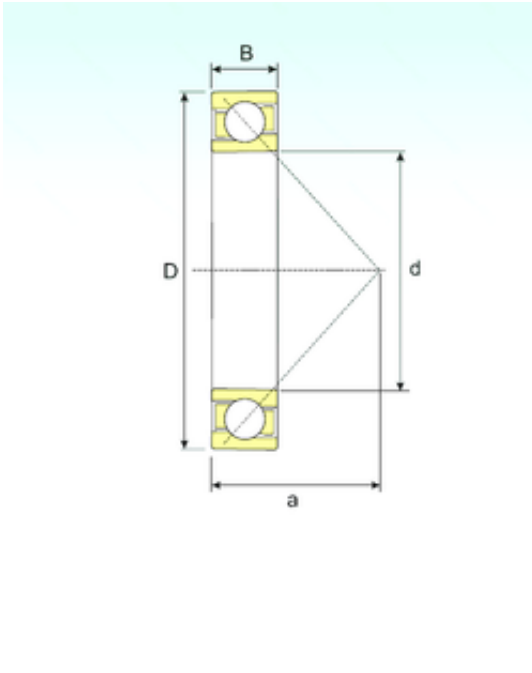




NTN Bearing Manufacturing of Canada



7305 B Bearing 2D drawings and 3D CAD models

25 mm x 62 mm x 17 mm ISB 7305 B angular contact ball bearings

Bearing No. 7305 B

Size	25x62x17 mm
Bore Diameter	25 mm
Outer Diameter	62 mm
Width	17 mm
d	25 mm
D	62 mm
B	17 mm
C	17 mm
a	26,8 mm
Weight	0,24 Kg
Basic dynamic load rating (C)	25,48 kN
Basic static load rating (C0)	15,29 kN
(Grease) Lubrication Speed	10710 r/min